



Stylish **thermostats** for modern living

**heatmiser**  
Effective Temperature Control

DOMESTIC AND INDUSTRIAL HEATING CONTROL SYSTEMS

# Heatmiser features at a glance

Dial Type Thermostat Table of Features				
Features	DS1	DS1-E	DS1-L	DS1-EL
Temperature Range	05-35 °C	05-35 °C	05-35 °C	05-35 °C
Accuracy	+/- 1.5 °C	+/- 1.5 °C	+/- 1.5 °C	+/- 1.5 °C
Dial Lock	No	No	Yes	Yes
Adjustable Switching Differential	Yes	Yes	Yes	Yes
Max Switching Current	3A	13A	3A	13A
LED Indication	Yes	Yes	No	No
LCD Display	No	No	Yes	Yes
Built In Air Sensor	Yes	Yes	Yes	Yes
Floor Sensing Mode Only	No	Yes	No	Yes
Built in Air and Floor Limiting Sensor Option	No	Yes	No	Yes
Dimensions (WxHxD)	92x92x34mm	92x92x34mm	92x92x34mm	92x92x34mm
Weight	150g	150g	150g	150g

Mains Thermostat & Electric Floor Heating Thermostat Table of Features				
Features	DT	PRT	PRTHW	PRT-E
Backlit Display	Yes	Yes	Yes	Yes
Temperature Range	05-35 °C 05-95 °F	05-35 °C 05-95 °F	05-35 °C 05-95 °F	05-35 °C 05-95 °F
Accuracy	+/- 1 °C	+/- 1 °C	+/- 1 °C	+/- 1 °C
Optimisation	No	Yes	Yes	Yes
5/2 Programming Mode	No	Yes	Yes	Yes
No of Heating Levels	0	4	4	4
No of Hot Water Switching Times	0	0	4	0
Built In Air Sensor	Yes	Yes	Yes	Yes
Remote Floor Sensor	No	No	No	Yes
Keypad Lock	Yes	Yes	Yes	Yes
Adjustable Switching Differential	Yes	Yes	Yes	Yes
°C / °F Option	Yes	Yes	Yes	Yes
Frost Protection	Yes	Yes	Yes	Yes
Adjustable Output Delay	Yes	Yes	Yes	Yes
Remote Control Option	Yes	Yes	Yes	Yes
Supply	230v AC	230v AC	230v AC	230v AC
Communication Facility	No	No	No	No
Changeover Output	Yes	Yes	No	No
Switching Load	3A	3A	3A	13A
Dimensions (WxHxD) (Depth Quoted is After Installation)	98x85x13mm	98x85x13mm	98x85x13mm	98x85x13mm
Weight	195g	195g	195g	195g

Network Thermostat Table of Features				
Features	DT-N	PRT-N	PRTHW-N	PRT-EN
Backlit Display	Yes	Yes	Yes	Yes
Temperature Range	05-35 °C 05-95 °F	05-35 °C 05-95 °F	05-35 °C 05-95 °F	05-35 °C 05-95 °F
Accuracy	+/- 1 °C	+/- 1 °C	+/- 1 °C	+/- 1 °C
Optimisation	No	Yes	Yes	Yes
5/2 Programming Mode	No	Yes	Yes	Yes
No of Heating Levels	0	4	4	4
No of Hot Water Switching Times	0	0	4	0
Built In Air Sensor	Yes	Yes	Yes	Yes
Remote Floor Sensor	No	No	No	Yes
Keypad Lock	Yes	Yes	Yes	Yes
Adjustable Switching Differential	Yes	Yes	Yes	Yes
°C / °F Option	Yes	Yes	Yes	Yes
Frost Protection	Yes	Yes	Yes	Yes
Adjustable Output Delay	Yes	Yes	Yes	Yes
Remote Control Option	Yes	Yes	Yes	Yes
Supply	12v DC	12v DC	12v DC	12v DC
Communication Facility	Yes	Yes	Yes	Yes
Changeover Output	No	No	No	No
Switching Load	3A	3A	3A	3A
Dimensions (WxHxD) (Depth Quoted is After Installation)	98x85x13mm	98x85x13mm	98x85x13mm	98x85x13mm
Weight	195g	195g	195g	195g

# Heatmiser features at a glance

Mains Touch Screen Thermostat Table of Features					
Features	DT-TS	DT-ETS	PRT-TS	PRTHW-TS	PRT-ETS
Backlit Touch Screen Panel (78x65mm)	Yes	Yes	Yes	Yes	Yes
Temperature Range	05-35 °C 05-95 °F	05-35 °C 05-95 °F	05-35 °C 05-95 °F	05-35 °C 05-95 °F	05-35 °C 05-95 °F
Accuracy	+/- 1 °C	+/- 1 °C	+/- 1 °C	+/- 1 °C	+/- 1 °C
Optimisation	No	No	Yes	Yes	Yes
5/2 Programming Mode	No	No	Yes	Yes	Yes
7 Day Programming Mode	No	No	Yes	Yes	Yes
No of Heating Levels	0	0	4	4	4
No of Hot Water Switching Times	0	0	0	4	0
Built In Air Sensor	Yes	Yes	Yes	Yes	Yes
Remote Floor Sensor	No	Yes	No	No	Yes
Keypad Lock	Yes	Yes	Yes	Yes	Yes
Adjustable Switching Differential	Yes	Yes	Yes	Yes	Yes
°C / °F Option	Yes	Yes	Yes	Yes	Yes
Frost Protection	Yes	Yes	Yes	Yes	Yes
Adjustable Output Delay	Yes	Yes	Yes	Yes	Yes
Hold Function	No	No	Yes	Yes	Yes
Holiday Function	No	No	Yes	Yes	Yes
Supply	230v AC	230v AC	230v AC	230v AC	230V AC
Communication Facility	No	No	No	No	No
Switching Load	3A	13A	3A	3A	13A
Dimensions (WxHxD) (Depth Quoted is After Installation)	110x100x17mm	110x100x17mm	110x100x17mm	110x100x17mm	110x100x17mm
Weight	200g	200g	200g	200g	200g

Network Touch Screen Thermostat Table of Features					
Features	DT-NTS	DT-ENTS	PRT-NTS	PRTHW-NTS	PRT-ENTS
Backlit Touch Screen Panel (78x65mm)	Yes	Yes	Yes	Yes	Yes
Temperature Range	05-35 °C 05-95 °F	05-35 °C 05-95 °F	05-35 °C 05-95 °F	05-35 °C 05-95 °F	05-35 °C 05-95 °F
Accuracy	+/- 1 °C	+/- 1 °C	+/- 1 °C	+/- 1 °C	+/- 1 °C
Optimisation	No	No	Yes	Yes	Yes
5/2 Programming Mode	No	No	Yes	Yes	Yes
7 Day Programming Mode	No	No	Yes	Yes	Yes
No of Heating Levels	0	0	4	4	4
No of Hot Water Switching Times	0	0	0	4	0
Built In Air Sensor	Yes	Yes	Yes	Yes	Yes
Remote Floor Sensor	No	Yes	No	No	Yes
Keypad Lock	Yes	Yes	Yes	Yes	Yes
Adjustable Switching Differential	Yes	Yes	Yes	Yes	Yes
°C / °F Option	Yes	Yes	Yes	Yes	Yes
Frost Protection	Yes	Yes	Yes	Yes	Yes
Adjustable Output Delay	Yes	Yes	Yes	Yes	Yes
Hold Function	No	No	Yes	Yes	Yes
Holiday Function	No	No	Yes	Yes	Yes
Supply	12v DC	12v DC	12v DC	12v DC	12v DC
Communication Facility	Yes	Yes	Yes	Yes	Yes
Switching Load	3A	3A	3A	3A	3A
Dimensions (WxHxD) (Depth Quoted is After Installation)	110x100x17mm	110x100x17mm	110x100x17mm	110x100x17mm	110x100x17mm
Weight	200g	200g	200g	200g	200g

Fan Coil Thermostat Table of Features			
Features	DS-FC	HC	HC-N
Backlit Display	No	Yes	Yes
Temperature Range	10-30 °C	05-35 °C	05-35 °C
Accuracy	+/- 1.5 °C	+/- 1 °C	+/- 1 °C
Optimisation	No	Yes	Yes
Built in Air Sensor	Yes	Yes	Yes
No Of Switching Times	0	4	4
Heating Output	Yes	Yes	Yes
Cooling Output	Yes	Yes	Yes
Auto Heat/Cool Mode	No	Yes	Yes
3 Speed Fan Control	Yes	Yes	Yes
Auto Fan Speed Control	No	Yes	Yes
Keypad Lock	No	Yes	Yes
°C / °F Option	No	Yes	Yes
Frost Protection	No	Yes	Yes
Adjustable Output Delay	No	Yes	Yes
Communication Facility	No	No	Yes
Switching Load	1A	3A	3A
Dimensions (WxHxD) (Depth Quoted is After Installation)	98x85x13mm	98x85x13mm	98x85x13mm
Weight	195g	195g	195g



## Dial Type Thermostats

Our range of electronic dial type thermostats are simple to use and offer a greater level of accuracy when compared with standard bi-metallic versions. These thermostats are used in conjunction with a separate programmer.

**Modern Design** - Designed with a modern appearance, in keeping with the rest of the Heatmiser range of products.

**Temperature Range** - A temperature range of 05 - 35°C is standard across this range

**Lock Facility** - Locking facility is standard for models with a digital LCD.

**Mains Powered** - No batteries required.

### heatmiser DS1

The DS1 is our central heating dial type thermostat.

- 3A Rating
- 05-35°C
- Set Temperature Display
- Heat and Power On LED Indication
- Variable Switching Differential



### heatmiser DS1-E

The DS1-E is our dial type thermostat for electric floor heating. Three modes of operation are available on this model and a 3 meter remote floor probe is supplied.

- Air Sensor, Floor Sensor Only and Air & Floor Modes are available
- 13A Rating
- 05-35°C
- Heat and Power On LED Indication
- Variable Switching Differential



3 Meter Remote Probe included.

### heatmiser DS1-L

The DS1-L is our central heating dial type thermostat incorporating an LCD display. In normal operation, the actual room temperature is displayed on the LCD, rotating the dial will display the set temperature for 5 seconds.

- 3A Rating
- 05-35°C
- Set Temperature Display
- Actual Temperature Display
- Variable Switching Differential
- Lock Facility



### heatmiser DS1-EL

The DS1-EL is our dial type thermostat incorporating an LCD display. The DS1-EL has been designed specifically for electric floor heating. In normal operation, the actual room temperature is displayed on the LCD, rotating the dial will display the set temperature for 5 seconds. 3 modes of operation are available on this model.

- Air Sensor, Floor Sensor Only and Air & Floor Modes are available
- 13A Rating
- 05-35°C
- Set Temperature Display
- Actual Temperature Display
- Variable Switching Differential
- Lock Facility



3 Meter Remote Probe included.



## Mains Thermostats

Our range of mains thermostats are "standard" products enabling the replacement of existing thermostats. These products can be used in conjunction with the UH2, our mains voltage central wiring switch box. (See page 9 for details).

**Slimline Design** - Heatmiser thermostats are designed to be neat and tidy. Their flush mount design means the depth is only 13mm after installation.

**Mains Powered** - Greater convenience, no batteries required.

**Optimum Start** - On selected models, the thermostat will adjust the starting time according to the air temperature, aiming to heat the building to the required temperature by the desired time.

**Memory Backup** - Keep your data on power failure with our thermostat "flash" memory.

**Remote Control Option** - On selected models, you are able to control your thermostat by remote control.

**Override Facility** - Quickly and easily adjust your programmed settings.

### heatmiser DT

The DT is our digital room thermostat, ideal for conventional or combi boiler systems.

- 3A volt free contacts
- 05-35°C room temperature

### heatmiser PRT

The PRT is our 5/2 day digital thermostat and programmer in-one. Providing up to 4 different temperatures at different times of the day.

- Optimum Start
- 3A volt free contacts
- 05-35°C temperature range

### heatmiser PRT/HW

The PRT/HW is our 5/2 day programmable thermostat with an additional 5/2 program for the domestic hot water cylinder. Reduced costs and wiring means the PRT/HW really is an all-in-one solution.

- Optimum Start
- 3A volt free contacts
- 05-35°C temperature range

Changeover terminal option available for the Heatmiser DT and PRT.



See pages 6 & 7 for our Touchscreen versions.

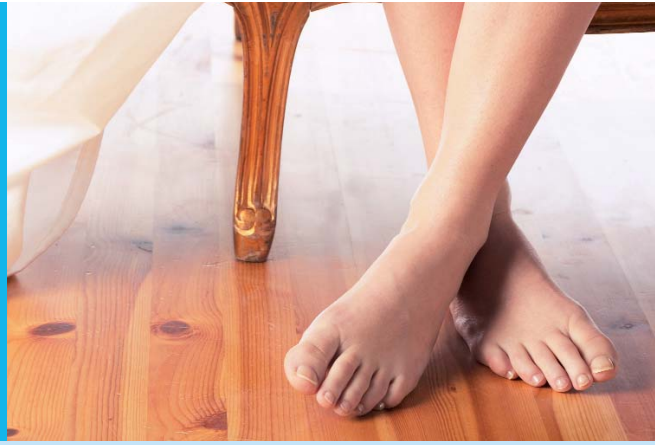
Available in 3 plastic finishes:



Silver

White

Brass



# Combination Electric Underfloor Heating Thermostat

With your comfort being our priority let the Heatmiser PRT-E take control of your electric underfloor heating system. The PRT-E is our combination model designed to meet the needs of every electric floor heating system. With 6 different modes of operation, the PRT-E can switch up to 13A.

**Non Programmable or Programmable** - Easily select via software selection non programmable or programmable depending on your specific application.

**High Amperage Rating** - Capable of switching up to 13A making this thermostat ideal for electric floor heating.

**Floor Sensor** - A 3 meter remote floor sensor is provided and can be extended to 20 meters if required.

**Blue Backlit** - Activated by any key press, this feature enables easy programming of the thermostat.

**Memory Backup** - Keep your data on power failure with our thermostat flash memory.

## heatmiser PRT-E

The Heatmiser PRT-E has been designed specifically with electric underfloor heating in mind. This combination model provides 6 control modes, making it highly flexible and therefore suitable for all types of electric floor heating applications.

- Mode 1: Non Programmable Model with Built in Air Sensor
- Mode 2: Non Programmable Model with Remote Floor Sensor
- Mode 3: Non Programmable Model with Built in Air Sensor and Remote Floor Sensor
- Mode 4: Programmable Model with Built in Air Sensor
- Mode 5: Programmable Model with Remote Floor Sensor
- Mode 6: Programmable Model with Built in Air Sensor and Remote Floor Sensor



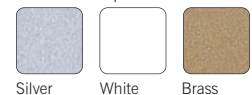
See pages 6 & 7 for our Touchscreen versions.



3 Meter Remote Probe included.



Available in 3 plastic finishes:



Silver White Brass



# Network Thermostats

Our 12v Network range of thermostats have been designed to work as part of a network system, and can be used in conjunction with the Network Products and PC Connection program (PCLink).

**PCLink Compatible** - Control your heating from your PC with PCLink.

**Heatmiser TouchPad** - The TouchPad is our master keypad offering the facility of operating up to 32 low voltage thermostats from one central point.

**TR2 Compatible** - Have complete control over your heating system even whilst you are away! With the TR2 you can remotely control the low voltage thermostats in your home.

**UH1 Compatible** - The UH1 is our central wiring switch box for the low voltage thermostats, providing outputs for the boiler, pump and zone valves.

**Keypad Lock** - Locking facility to prevent tampering of the programmed settings.

## heatmiser DT-N

The Heatmiser DT-N is our low voltage, digital room thermostat, ideal for conventional or combi boiler systems.

- 3A volt free switching
- 05-35°C temperature range

## heatmiser PRT-N

The Heatmiser PRT-N is our low voltage, 5/2 day programmable room thermostat. The PRT-N is a digital thermostat and programmer in one. Providing up to 4 different temperatures at different times of the day.

- 3A volt free switching
- 05-35°C temperature range

## heatmiser PRT/HW-N

The Heatmiser PRT/HW-N is our low voltage, 5/2 day programmable thermostat with an additional 5/2 day program for a domestic hot water cylinder. Reduced costs and wiring means the PRTHW-N really is an all-in-one solution.

- 3A volt free switching
- 05-35°C temperature range

## heatmiser HC-N

The Heatmiser HC-N is our network fan coil thermostat offering three modes of operation. These modes are heating, cooling and automatic heating and cooling with an adjustable dead-band. For more information on this product see page 15.

- 3A volt free switching
- 05-35°C temperature range

**Please Note:** The HC-N is not currently compatible with PCLink / Netmonitor.

## heatmiser PRT-EN



3 Meter Remote Probe included.

The Heatmiser PRT-EN is our low voltage underfloor heating thermostat. It provides two modes of operation which can be selected in software by the installer. Mode 0 is designed to work with a remote floor sensor and controls only floor temperature. In Mode 1, the thermostat will maintain the desired air temperature and will use the floor sensor to prevent the floor from overheating.

- 3A volt free switching
- 05-35°C temperature range



Available in 3 plastic finishes:



Silver



White



Brass



See pages 6 & 7 for our Touchscreen versions.

# Mains TouchScreen Thermostat



The TouchScreen series of thermostats have been designed to make life a little easier. The intuitive touchscreen display makes searching for the user manual a thing of the past.

## heatmiser DT-TS

The DT-TS is our non programmable digital room thermostat, ideal for conventional or combi boiler systems with an existing timeclock.

- Blue Backlit TouchScreen
- 05-35°C Temperature Range
- Key lock Facility
- 230v AC, 3A

## heatmiser DT-ETS

The DT-ETS is our non programmable digital room thermostat designed specifically for electric floor heating. This high power model offers 5 temperature sensing modes (Software Selectable).

- Blue Backlit TouchScreen
- 05-35°C Temperature Range
- Key lock Facility
- 230v AC, 13A
- 5 Sensing Modes - Perfect for Electric Floor Heating

- Mode 1: Built in Air Sensor
- Mode 2: Remote Air Sensor
- Mode 3: Floor Sensor Only
- Mode 4: Floor & Built In Air Sensor
- Mode 5: Floor & Remote Air Sensor



3 Meter Remote Probe included.

## heatmiser PRT-ETS

The PRT-ETS is our programmable digital room thermostat designed specifically for electric floor heating. This high power model offers 5 temperature sensing modes (Software Selectable).

- Blue Backlit TouchScreen
- 05-35°C Temperature Range
- 5/2 Day or 7 Day Program Mode (User Selectable)
- Key lock Facility
- Temperature Hold Feature
- Holiday Feature
- 230v AC, 13A
- 5 Sensing Modes - Perfect for Electric Floor Heating

- Mode 1: Built in Air Sensor
- Mode 2: Remote Air Sensor
- Mode 3: Floor Sensor Only
- Mode 4: Floor & Built In Air Sensor
- Mode 5: Floor & Remote Air Sensor



3 Meter Remote Probe included.



Available in 3 plastic finishes:



Silver



White



Brass

## heatmiser PRT-TS

The PRT-TS is our programmable digital room thermostat, ideal for conventional or combi boiler systems.

- Blue Backlit TouchScreen
- 05-35°C Temperature Range
- 5/2 Day or 7 Day Program Mode (User Selectable)
- Key lock Facility
- Temperature Hold Feature
- Holiday Feature
- 230v AC, 3A

## heatmiser PRT/HW-TS

The PRT/HW-TS is our 2 channel combined programmable room thermostat and hot water timeclock.

- Blue Backlit TouchScreen
- 05-35°C Temperature Range
- Heating: 5/2 Day or 7 Day Program Mode (User Selectable)
- Hot Water: 5/2 Day or 7 Day Program Mode (User Selectable)
- Key lock Facility
- Temperature Hold Feature
- Holiday Feature
- 230v AC, 3A



# Network TouchScreen Thermostats



The TouchScreen series of thermostats have been designed to make life a little easier. The intuitive touchscreen displays make searching for the user manual a thing of the past. The network versions allow central control within your home and remote control from anywhere in the world.

## heatmiser DT-NTS

The DT-NTS is our low voltage, non programmable digital room thermostat, ideal for conventional or combi boiler systems with an existing timeclock.

- Blue Backlit TouchScreen
- 05-35°C Temperature Range
- Key lock Facility
- 12v DC, 3A

## heatmiser DT-ENTS

The DT-ENTS is our low voltage, non programmable digital room thermostat designed specifically for electric floor heating. This model offers 5 temperature sensing modes (Software Selectable).

- Blue Backlit TouchScreen
- 05-35°C Temperature Range
- Key lock Facility
- 12v DC, 3A
- 5 Sensing Modes - Perfect for Electric Floor Heating

- Mode 1: Built in Air Sensor
- Mode 2: Remote Air Sensor
- Mode 3: Floor Sensor Only
- Mode 4: Floor & Built In Air Sensor
- Mode 5: Floor & Remote Air Sensor



3 Meter Remote Probe included.

## heatmiser PRT-ENTS

The PRT-ENTS is our low voltage, programmable digital room thermostat designed specifically for electric floor heating. This model offers 5 temperature sensing modes (Software Selectable).

- Blue Backlit TouchScreen
- 05-35°C Temperature Range
- 5/2 Day or 7 Day Program Mode (User Selectable)
- Key lock Facility
- Temperature Hold Feature
- Holiday Feature
- 12v DC, 3A
- 5 Sensing Modes - Perfect for Electric Floor Heating

- Mode 1: Built in Air Sensor
- Mode 2: Remote Air Sensor
- Mode 3: Floor Sensor Only
- Mode 4: Floor & Built In Air Sensor
- Mode 5: Floor & Remote Air Sensor



3 Meter Remote Probe included.



Available in 3 plastic finishes:



Silver



White



Brass

## heatmiser PRT-NTS

The PRT-NTS is our low voltage, programmable digital room thermostat, ideal for conventional or combi boiler systems.

- Blue Backlit TouchScreen
- 05-35°C Temperature Range
- 5/2 Day or 7 Day Program Mode (User Selectable)
- Key lock Facility
- Temperature Hold Feature
- Holiday Feature
- 12v DC, 3A

## heatmiser PRT/HW-NTS

The PRT/HW-NTS is our low voltage, 2 channel combined programmable room thermostat and hot water timeclock.

- Blue Backlit TouchScreen
- 05-35°C Temperature Range
- Heating: 5/2 Day or 7 Day Program Mode (User Selectable)
- Hot Water: 5/2 Day or 7 Day Program Mode (User Selectable)
- Key lock Facility
- Temperature Hold Feature
- Holiday Feature
- 12v DC, 3A

# Network Controllers



These products are designed to work with our Network Thermostats giving superior control of your heating system. Have central control of your home heating system with the use of our Colour TouchPad or remote control whilst away with our Telephone Remote Control (TR2).

## heatmiser Touch Pad

The Heatmiser TouchPad, featuring a colour touch screen, gives central control of up to 32 low voltage thermostats. You are able to give each thermostat a name allowing you to easily identify each thermostat on

the network. Remotely program the comfort levels of all networked thermostats from one central point and copy program settings from one thermostat to another across the network.



### Features

- Display Colour Touch Screen (58 x 77 mm)
- Max Zones 32 zones
- Title Give each zone a unique name
- Temperature Hold Use this function to hold a desired temperature for a fixed period. Ideal for unexpected activities
- Holiday Use the holiday function to put the heating in to frost mode whilst you are away
- Hw boost facility Use the HW boost to quickly override the hot water timed settings
- Quick View See at a glance the current thermostat status throughout your building
- Auto time sync Synchronises all of the thermostat clocks on the network
- Auto GMT Automatically corrects the time for Summer/ Winter time
- History View the Hours Run for the past 4 weeks or the temperature graph for the previous 24 hours
- Master Timeclock Select which thermostats you want to work from the built in timeclock
- Key Lock Lock each thermostat to prevent unauthorised tampering of the thermostat setting
- Password Protect When enabled, the user must enter a pass code in order to program the network thermostats
- °C °F Choose between °C and °F mode
- Frost Setting Program the frost temperature for each thermostat
- Floor limit Program the floor limit for underfloor heating models

## heatmiser TR2

Control up to 32 Zones of Heating from your landline or mobile.

- Read-back Facility
- Control of a Single Auxiliary Device
- Distinctive Ring Compatible
- Power Adaptor Supplied

The Heatmiser TR2 is our telephone remote system, allowing the user to control up to 32 thermostats remotely via a landline or mobile phone.

**“Read-back Request Feature”** This feature allows you to request status information from your TR2. The status information is read back to you ... for example “The set temperature is now 22”.

Other read back information includes;

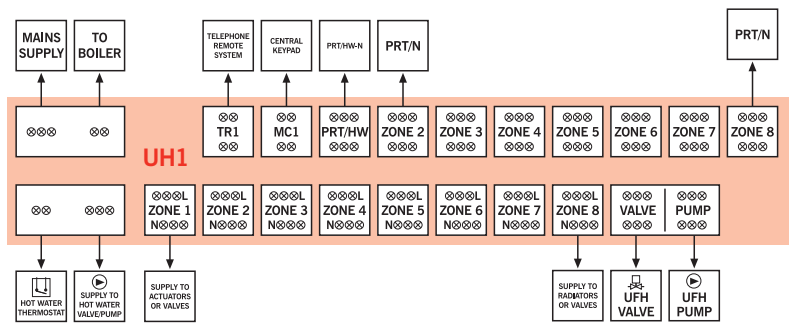
- Set Temperature
- Actual Room Temperature
- Heating Output Status
- Hot water Output Status



# Central Wiring Switch Boxes



Our central wiring switch boxes have been designed to simplify the wiring process. By using the UH1 or UH2 in your application means that the actuator, boiler and pump connections are wired from a single point.



## heatmiser UH1

The Heatmiser UH1 can be used in conjunction with our 12v network thermostats as shown in the layout opposite. The UH1 provides central switching and is ideally situated next to the manifold. Up to 8 230v actuators can be controlled as well as providing an output for a hot water cylinder and the system boiler and pump. The UH1 provides connections for our central

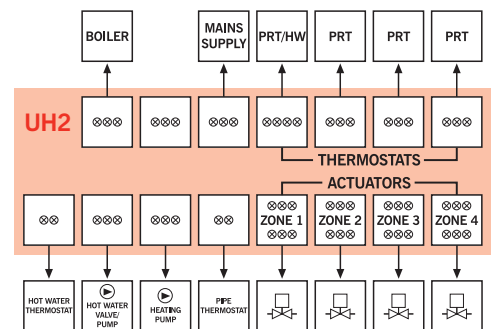
keypad or PC when used as part of a network system.

The UH1 is also ideally suited for underfloor heating. When used for underfloor heating an option is available to use zone 8 for conventional radiator control.



## heatmiser UH2

The UH2 can be used in conjunction with our Mains Thermostats. The UH2 provides central switching of up to 4 zone actuators as well as providing an output for a hot water cylinder and the system boiler and pump.



The UH2 is also ideally suited for underfloor heating. When used for underfloor heating an option is available to use zone 4 for conventional radiator control.

# NetMonitor

The Heatmiser Netmonitor is a self contained unit allowing you to control your heating over the internet from any web browser. Simply plug the Netmonitor in to your router and take complete control!

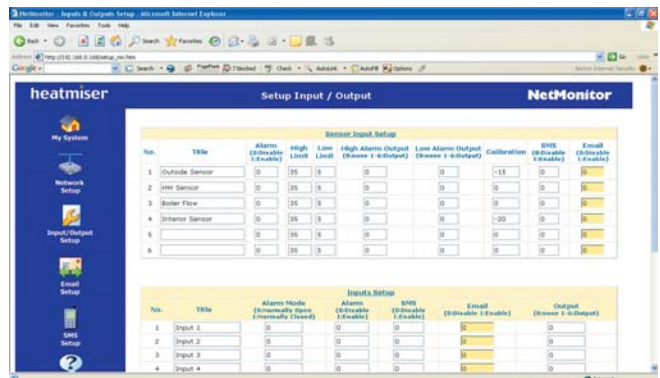
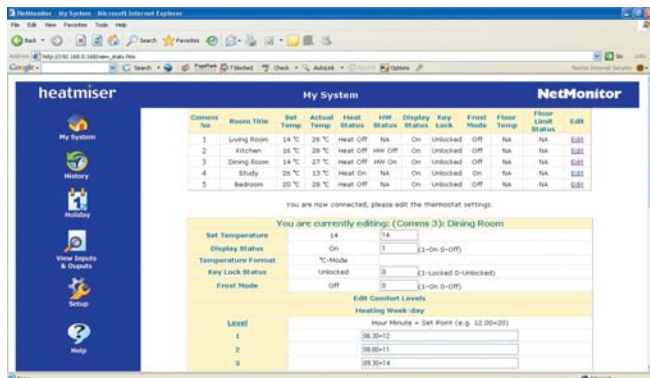
### NetMonitor Features

- Program up to 32 Heatmiser thermostats from any Internet Browser worldwide.
- Connect up to 6 remote temperature sensors to be used for monitoring and alarm purposes.

- Program low and high temperature limits.
- Connect up to 6 volt free alarms such as your home alarm and receive alarm indications on email.
- Control up to 6 appliances remotely via web browser.

### Notes:

1. A fixed IP address or a router with Dynamic DNS facility is required to control your heating over the internet.





## NetMonitor+

The Heatmiser NetMonitor+ offer the same functionality as the standard Heatmiser NetMonitor but also offers SMS facility. Take control of your heating via text message and receive alarm indications on your mobile.

### Netmonitor+ Features

- Program up to 32 Heatmiser thermostats from any Internet Browser worldwide.
- Connect up to 6 remote temperature sensors to be used for monitoring and alarm purposes.
- Program low and high temperature limits.

- Connect up to 6 volt free alarms such as your home alarm and receive alarm indications on email or text message.
- Set the desired temperature by Text message.
- Control up to 6 appliances remotely via web browser or Text message.
- Alarms can be sent by Email and Text Message.

#### Notes:

1. A fixed IP address or a router with Dynamic DNS facility is required to control your heating over the internet.
2. You will need to purchase a SIM Card to use the GSM functions. We suggest you use a Pay as you Go type SIM.

**Heating**  
Take control of your heating or hot water over the internet or by text message.

**Security**  
Receive an email and text message when your home alarm is triggered.

**Temperature Alarm**  
Connect a temperature sensor to the Netmonitor and receive an alarm by email or text message when this temperature drops below a programmed limit.

**Interior Lighting**  
Turn on or off your interior lighting whilst you are away by text message or over the internet.

**Outdoor Lighting**  
Turn on or off your outdoor lighting either over the internet or by mobile phone.

**Close your Blinds/Curtains**  
Increase the security of your home and close your curtains whilst you are away.



# PCLink Features

PCLink is our Windows based program allowing you to take control of your heating thermostats from your PC. Easily view and amend your thermostat settings for your entire heating system.

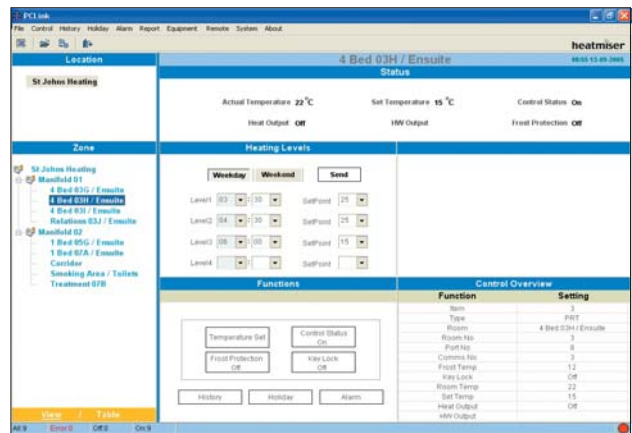
**Temperature View** - See at a glance the actual and set temperature for each thermostat throughout your building.

**Program Comfort Levels** - Program the comfort levels for each thermostat on the network.

**Override feature** - Quickly override the set temperature for any thermostat.

**Keylock** - Lock the keypad remotely to prevent unauthorised alteration of the thermostat settings.

**Holiday** - Program a holiday period for all or selected thermostats (switches the thermostats into frost mode during this period).



View a specific thermostat in detail, with the ability to amend settings easily.

## Versions

**PCLink Lite** - A maximum of 32 thermostats can be controlled from PCLink Lite.

**PCLink Full** - Allows for connection of up to 900 thermostats.

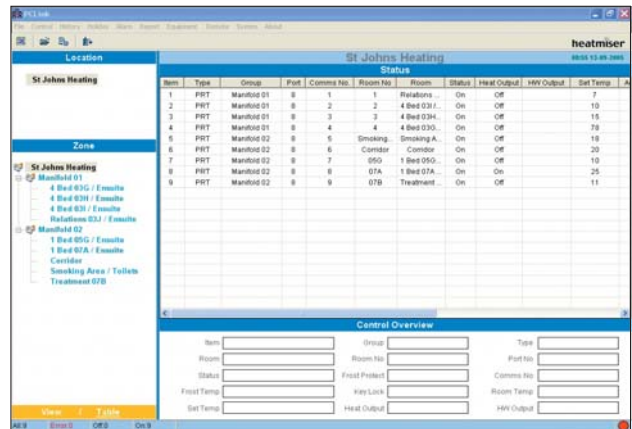
## Connection Methods

**Direct USB Connection** - Allowing you to connect up to 32 12v thermostats to your PCs USB port.

**Ethernet** - Two Ethernet adaptors are available, allowing you to control your heating system either via a local network (LAN) or over the internet.

The NC601 offers a single port, allowing the connection of up to 32 thermostats.

The NC602 offers two ports and allows the connection of up to 64 thermostats.



View at a glance the status of all thermostats on your system.



USB Adaptor



Single Port Ethernet Adaptor (NC601)



Two Port Ethernet Adaptor (NC602)

## Accessories



Our range of accessories are designed to compliment the other products featured in this brochure.



### heatmiser TM1

The Heatmiser TM1 has been designed to match our family of thermostats, with the same blue back light, modern stylish design and easy to use buttons. The Heatmiser TM1 Time-Clock offers three modes in-one, selectable by the installer. **Mode 1** is Countdown Timer, **Mode 2** is 5/2 Day Time Clock & **Mode 3** is 7 Day Time Clock.

**Countdown Timer:** In this mode, the user can select the number of hours required by using the Up/Down key. At the end of this time, the output is disabled. The installer can program a maximum countdown time to restrict excess use.

**5/2 Day Time Clock:** In this mode, the user can program 4 switching times for the week and 4 different switching times for the weekend.

**7 Day Time Clock:** In this mode, the user can program 4 switching times for each day of the week.

A 12v version of the TM1 is available (Heatmiser TM1-N). This is our network-able time-clock compatible with our Heatmiser TouchPad.

- Back-light LCD
- Timer override
- Volt free switching, Max 3A
- 230v powered

### heatmiser PS1 - Power Supply Unit

The Heatmiser PS1 is our 12v power supply designed to power our low voltage thermostats.

Up to 16 thermostats can be powered by the PS1.



### heatmiser RM1

The Heatmiser RM1 gives the user remote control of the set temperature.

- LCD shows set temperature
- On Off Button
- Temperature Limit - 18-35°C
- Method - Infrared Line of Sight

Compatible with DT, PRT, PRTHW and all -N models. (Not compatible with TS Series).



### heatmiser Sensor Housing

This sensor housing is ideal for use in bathrooms and other wet rooms and can be used to house the remote sensor probe. The remote sensor probe is then wired back to the thermostat installed in the corridor or adjacent room.



### heatmiser Heatmiser In-Line Wax Valve

This valve is designed to cut into the pipe-work leading to the radiator to give independent control of each radiator. It is intended to be used in conjunction with the UH1 Wiring Centre and low voltage network thermostats.



### heatmiser Remote Sensor Probe

This remote sensor probe can be used to measure air and floor temperature. This probe is supplied with a 3 meter cable which can be extended to 20 meters if required.





# Dial Type Fan Coil Thermostat

The Heatmiser DS-FC is our dial type fan coil thermostat suitable for 2 and 4 pipe fan coil systems.

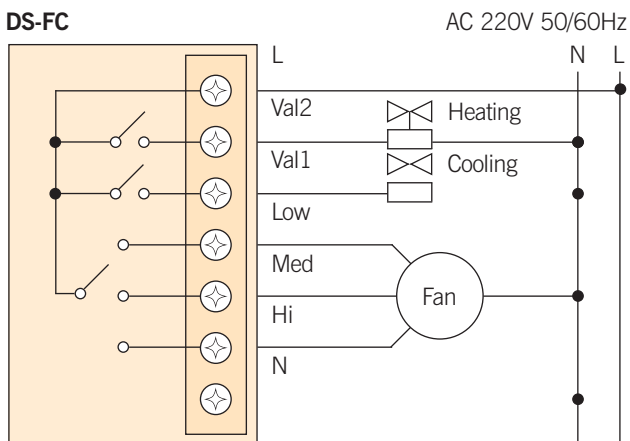
**Heat Mode Selection** - Slide switch selection between Heat & Cool Mode.

**Output On Indication** - LED indication quickly shows whether the output is on.

**Fan Speed Selection** - Slide switch selection between high, medium and low fan speed.

**Thermistor Based Technology** - Accuracy is ensured by using the latest NTC Thermistor technology.

- Slimline Appearance
- 10-30°C Temperature Range
- Heat or Cool Mode
- Low, Medium and High Fan Speed Selection
- Switching Differential: Approximate  $\pm 1.5^{\circ}\text{C}$
- Operating Voltage: AC 220V  $\pm 10\%$ , 50/60Hz
- Switch Current Rating: Resistive: 1 A, Inductive: 0.5 A
- Dimension: 86x86x24 mm (WxHxD)







## Digital Fan Coil Thermostats

The Heatmiser HC is our fan coil thermostat offering three modes of operation ideal for 2 and 4 pipe heating and cooling systems. It provides a three speed fan output which can be set to manual or automatic mode.

**Fan Speed Control** - Auto, high, medium and low fan speed is available on this thermostat.

**Slimline Design** - Heatmiser thermostats are designed to be neat and tidy. Their flush mount design means the depth is only 13mm after installation.

**Blue Back-Light** - Activated by any key press, this feature enables easy programming of the thermostat.

**Mains Powered** - Greater convenience, no batteries required.

**Override Facility** - Quickly & easily adjust your programmed settings.

### heatmiser HC

#### Heating

In heating mode, you are able to set 4 switching times for the weekday and 4 different for the weekend and two temperature settings (Day, Night).

During a switching time, the day temperature will be maintained, switching the fan between low, medium and high depending on the actual temperature when set in automatic mode. Outside the programmed times, the night temperature will be maintained.

#### Cooling

In cooling mode, 4 switching times per day can be set along with a cooling set point. The cooling output will be active when the actual temperature rises above the set point. With the fan in automatic mode, the HC will switch between low, medium and high, 1°C, 2°C or 3°C above the set point.

#### Automatic

In automatic mode, 4 switching times per day can be set along with a Day and Night heating and a single cooling set point. In addition, a dead band setting is programmed ensuring there is no conflict between heating and cooling. During the switching time, the heating set temperature will be maintained switching the fan between low, medium and high. Should the room temperature rise above the cooling set point, the cooling output will be active along with the fan, which is switched between low, medium and high when set to automatic mode.

- 3A, 230v switching
- 05-35°C temperature range



Available in 3 plastic finishes:



Silver White Brass



Designed and produced by CDM - 01254 777752



WEEE  
Registration  
Number:  
WEE/GF0052TQ

